

# Single Bin Store

## Fitting Guide

**Kennings**

### Component List

1 x Right Side Panel	(A)
1 x Left Side Panel	(B)
1 x Back Panel	(C)
1 x Door Panel	(D)
1 x Lid Panel	(E)
1 x Horizontal Floor Support (2" x 1") 700mm	(F)
1 x Horizontal Top Support (2" x 1") 800mm	(G)
1 x Lid Prop - V Cut (2" x 1") 700mm	(H)
1 x Lid Handle	(I)
1 x Handle Back Plate	(J)
2 x 75mm Door Hinges	(K)
1 x Door Cabin Hook	(L)
14 x 75mm Green Screws	(FIX1)
1 x Carriage Bolts (M8 x 100mm)	(FIX 2)
2 x Carriage Bolts (M8 x 130mm)	(FIX 3)



We recommend two people to assemble this product.

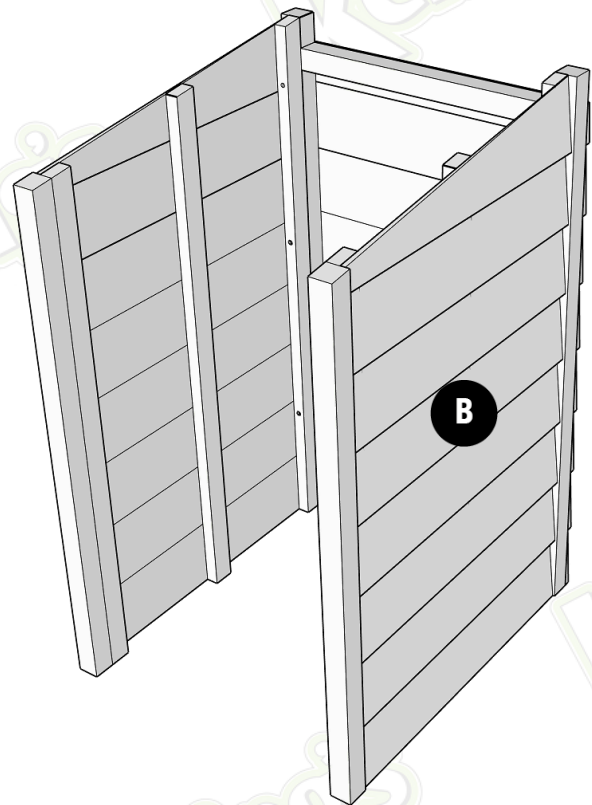
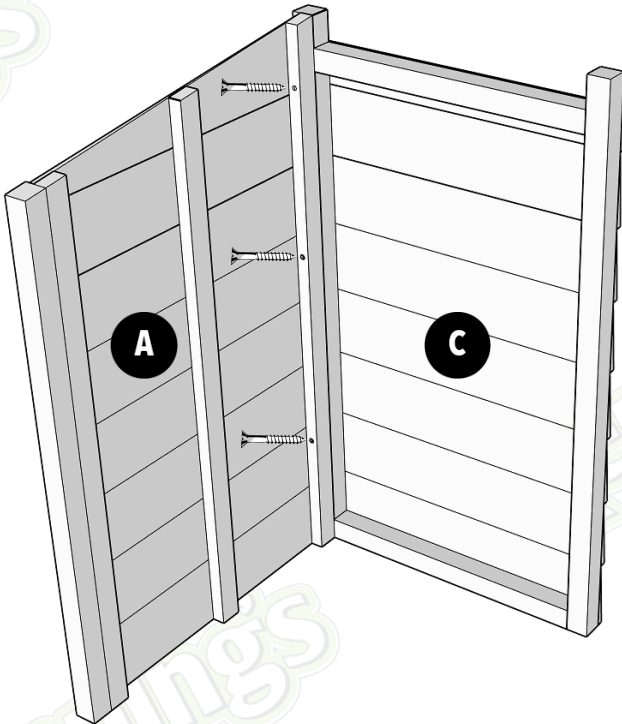
# Single Bin Store Fitting Guide

**Kennings**

## Step 1

Secure the two Side Panels (A) and (B) to the Back Panel (C) using 3 x 75mm Green Screws (FIX 1) per join as indicate below.

Ensure all panels along the bottom are flush to each other.



**Don't forget to check your work with a level as you go!**

All images are for illustration only. Please see individual item listings for actual item specifications.

Page 2 of 7

# Single Bin Store

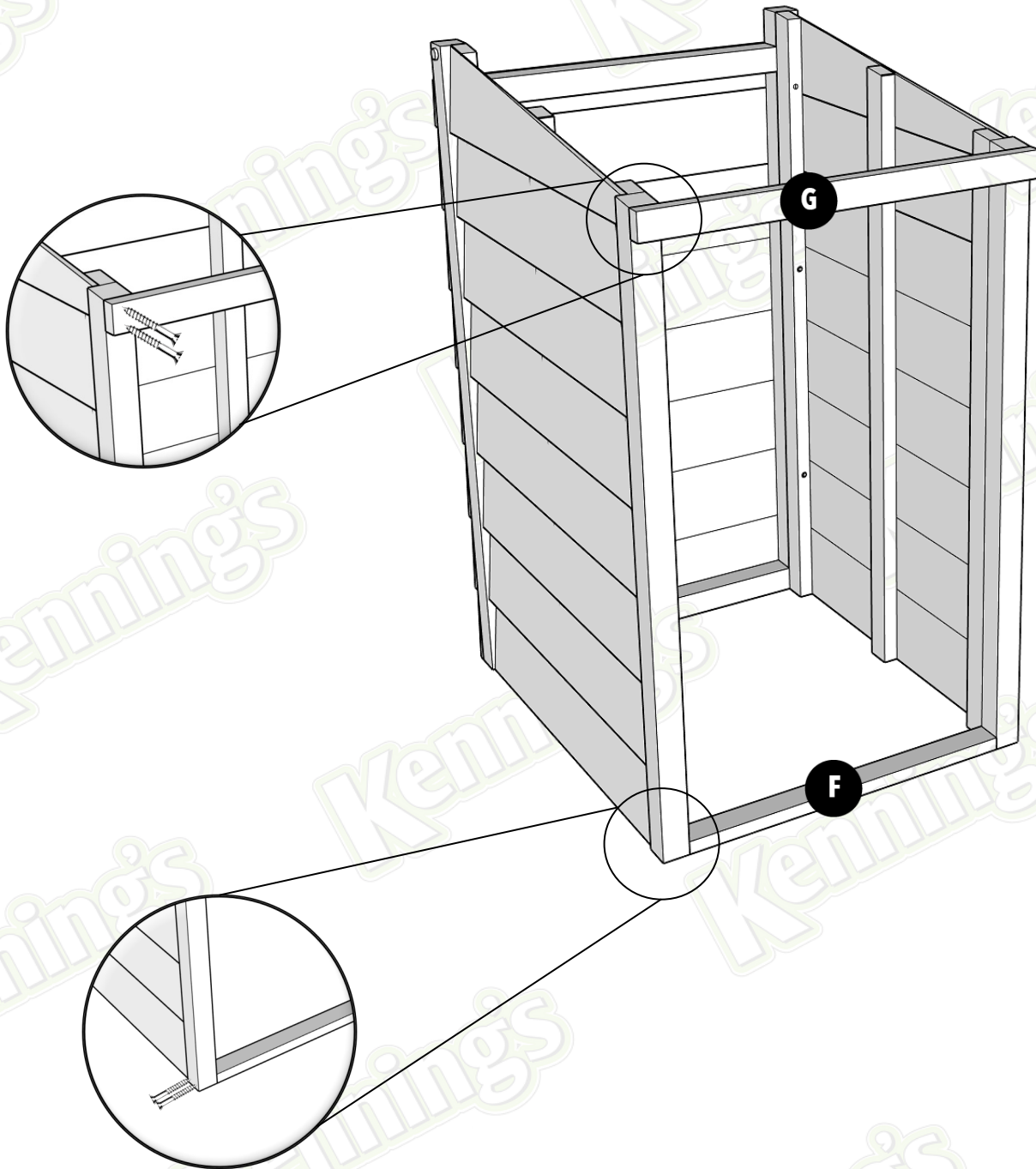
## Fitting Guide

**Kennings**

### Step 2

Secure the Horizontal Floor Support (**F**) between the two side panels and secure in place using 2 x 75mm Green Screws (**FIX 1**) per side.

The Horizontal Top Support (**G**) can then be screwed to the front face of the two side panels using 2 x 75mm Green Screws (**FIX 1**) per side.



All images are for illustration only. Please see individual item listings for actual item specifications.

Page 3 of 7

# Single Bin Store

## Fitting Guide

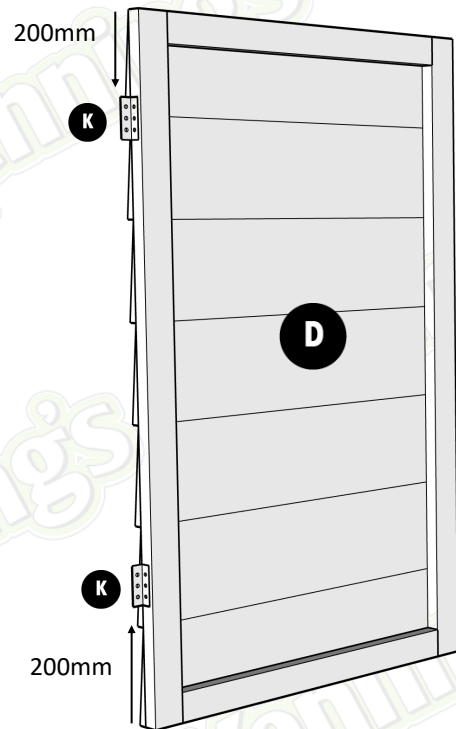
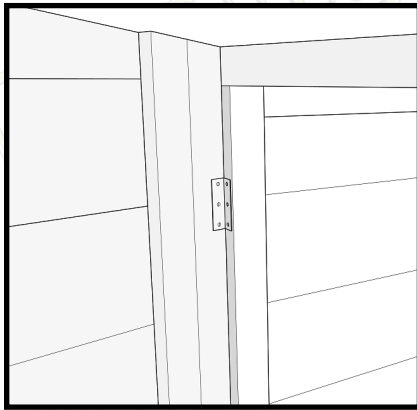
**Kennings**

### Step 3

Fix the 2 x Door Hinges (K) 200mm from the top and bottom the Bin Store Door (D).

Then, position the door between the side panels and secure the hinges to inner side of the side panels.

Fixings for this are included in the door hinge packaging.



Fix the Door Cabin Hook (L) as shown opposite.

Fixings for this are included with the Door Cabin Hook Packaging.

All images are for illustration only. Please see individual item listings for actual item specifications.

Page 4 of 7



# Single Bin Store

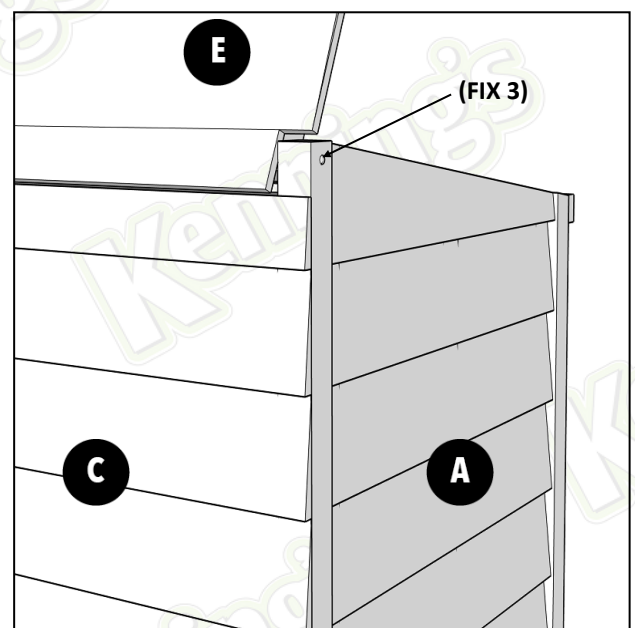
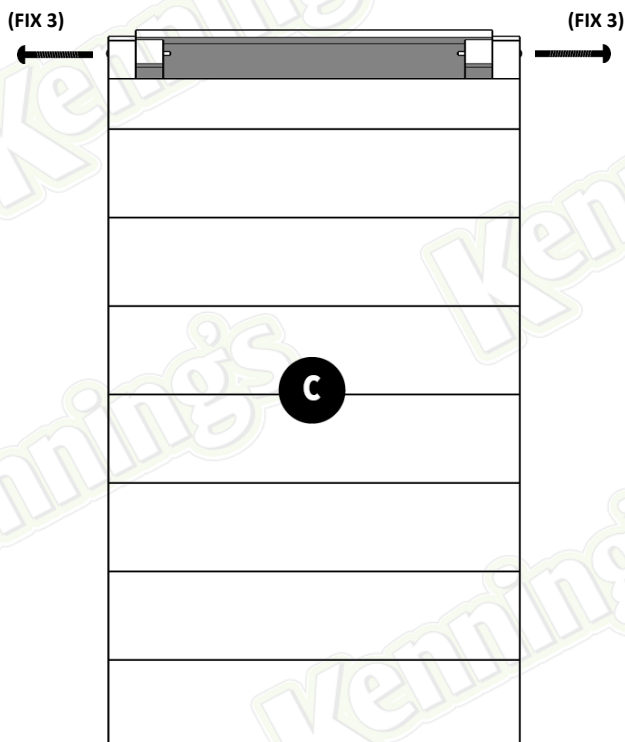
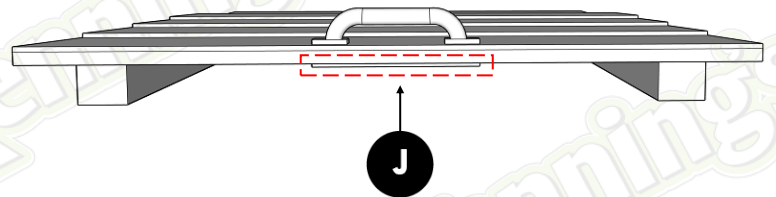
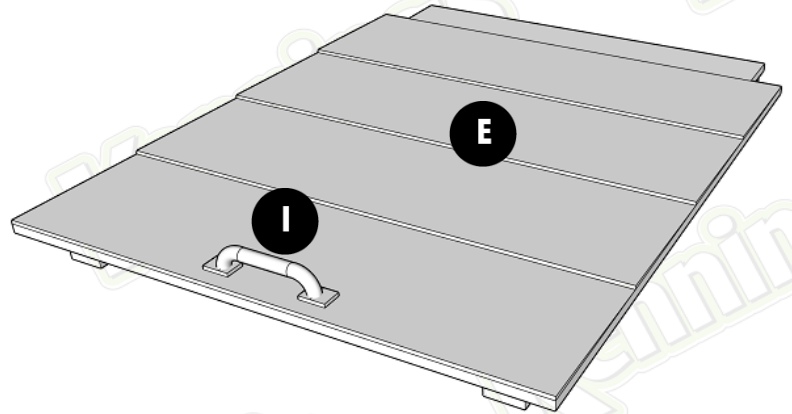
## Fitting Guide

### Step 4

Take the Bin Store Lid (E) and attach the Lid Handle (I) the handle must be attached at the top end as shown below.

The handle back plate (J) should be lined up on the underside of the lid for the supplied screws to drive into to hold it tight in place and stop the screw points from showing.

Position the Bin Store Lid (E) between the side panels, align the pre-drilled boltholes, and insert a 130mm bolt (FIX 3) at each side using the provided nut and washer to secure each bolt in place.



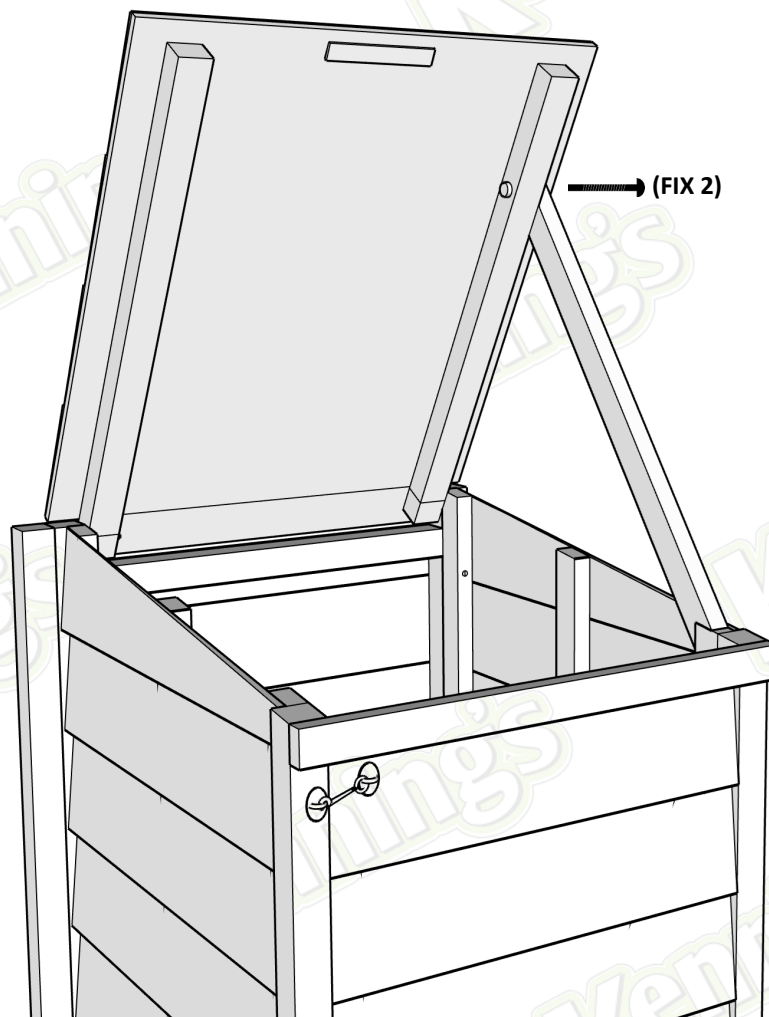
# Single Bin Store

## Fitting Guide

**Kennings's**

### Step 5

Insert 1 x bolt (**FIX 2**) into the pre-drilled bolthole on bin lid frame and through the V Cut Lid Prop (**H**) using the nut and washer to secure in place.



All images are for illustration only. Please see individual item listings for actual item specifications.

Page 6 of 7

# Single Bin Store Fitting Guide

**Kennings**



**Enjoy your new Single Bin Store!**

All images are for illustration only. Please see individual item listings for actual item specifications.

Page 7 of 7

# Double Bin Store

## Fitting Guide

**Kennings's**

### Component List

1 x Right Side Panel	(A)
1 x Left Side Panel	(B)
1 x Back Panel	(C)
1 x Door Panels	(D)
1 x Lid Panels	(E)
1 x Centre Top Support (2" x 2") 850mm	(F)
1 x Centre Vertical Framing (2" x 2") 1150mm	(G)
1 x Centre Floor Support (2" x 2") 800mm	(H)
2 x Horizontal Floor Support (2" x 1") 755mm	(I)
1 x Horizontal Top Support (2" x 1") 1650mm	(J)
2 x Lid Prop - V Cut (2" x 1") 700mm	(K)
2 x Lid Handles	(L)
2 x Handle Back Plates	(M)
4 x 75mm Door Hinges	(N)
1 x Door Cabin Hook	(O)
30 x 75mm Green Screws	(FIX1)
2 x Carriage Bolts (M8 x 100mm)	(FIX 2)
2 x Carriage Bolts (M8 x 130mm)	(FIX 3)
1 x Carriage Bolts (M8 x 200mm)	(FIX 4)



We recommend two people to assemble this product.



# Double Bin Store

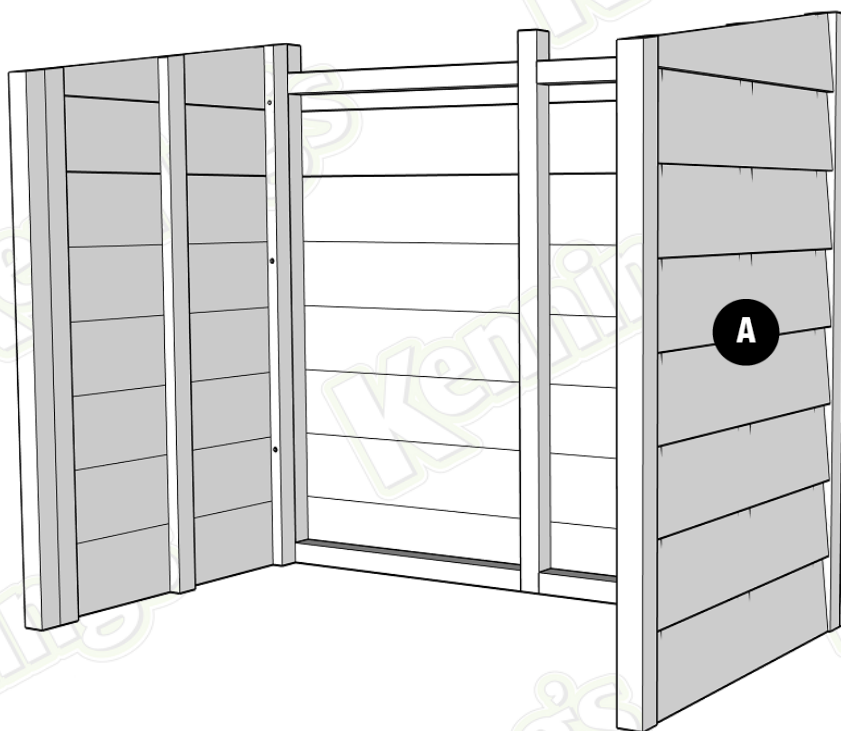
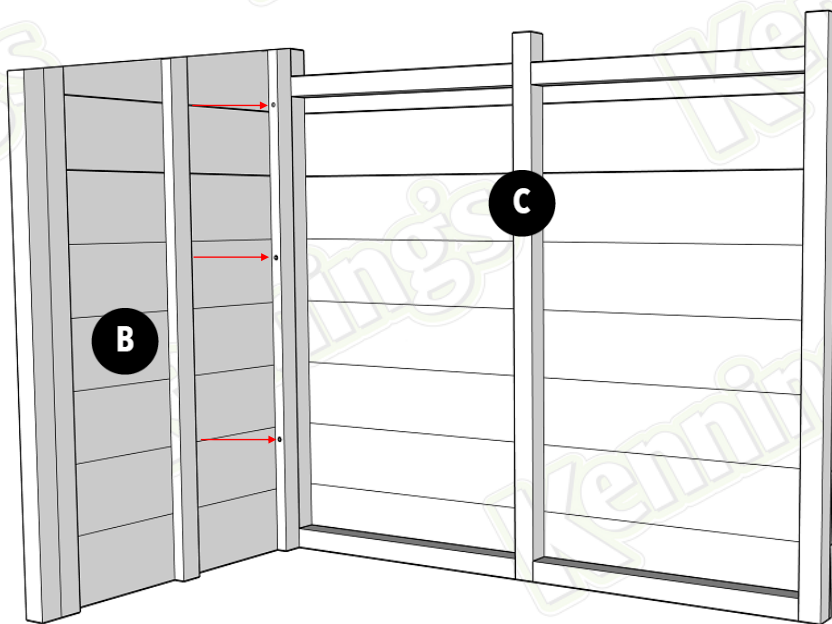
## Fitting Guide

**Kennings's**

### Step 1

Secure the two Side Panels (A) and (B) to the Back Panel (C) using 3 x 75mm Green Screws (FIX 1) per join as indicate below.

Ensure all panels along the bottom are flush to each other.



Don't forget to check your work with a level as you go!

All images are for illustration only. Please see individual item listings for actual item specifications.

Page 2 of 8

# Double Bin Store

## Fitting Guide

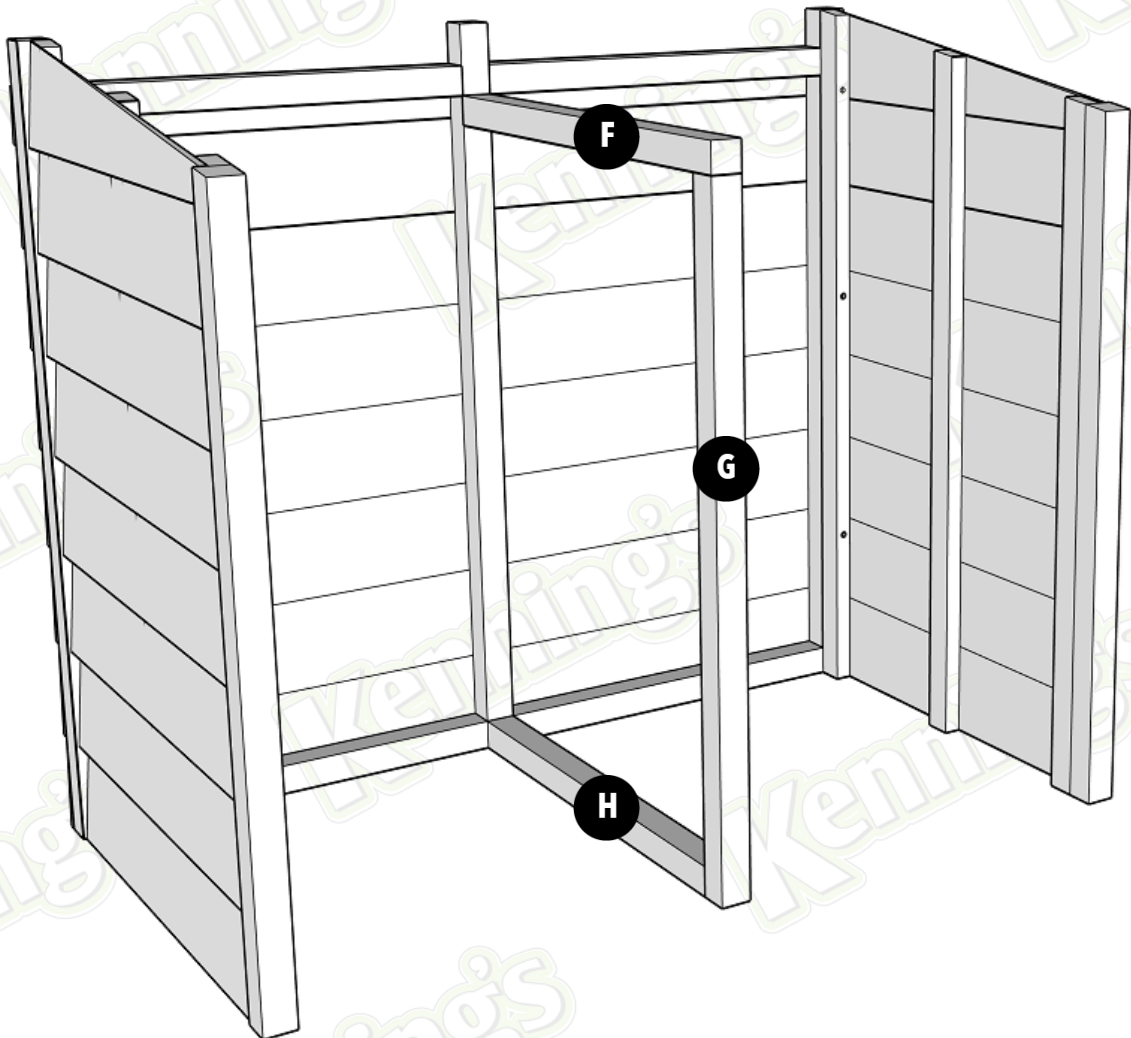
**Kennings**

### Step 2

Screw the Centre Floor Support (**H**) to the side, flush to the bottom of Centre Vertical Framing (**G**) then screw the other end of (**H**) to the bottom of the centre support of Back Panel (**C**).

Using the Centre Top Support (**F**) screw this into the top of (**G**) and into the side of the centre support of Back Panel (**C**) flush to the top.

These connections are all made using 1 x 75mm Green Screws (**FIX 1**).



All images are for illustration only. Please see individual item listings for actual item specifications.

Page 3 of 8

# Double Bin Store

## Fitting Guide

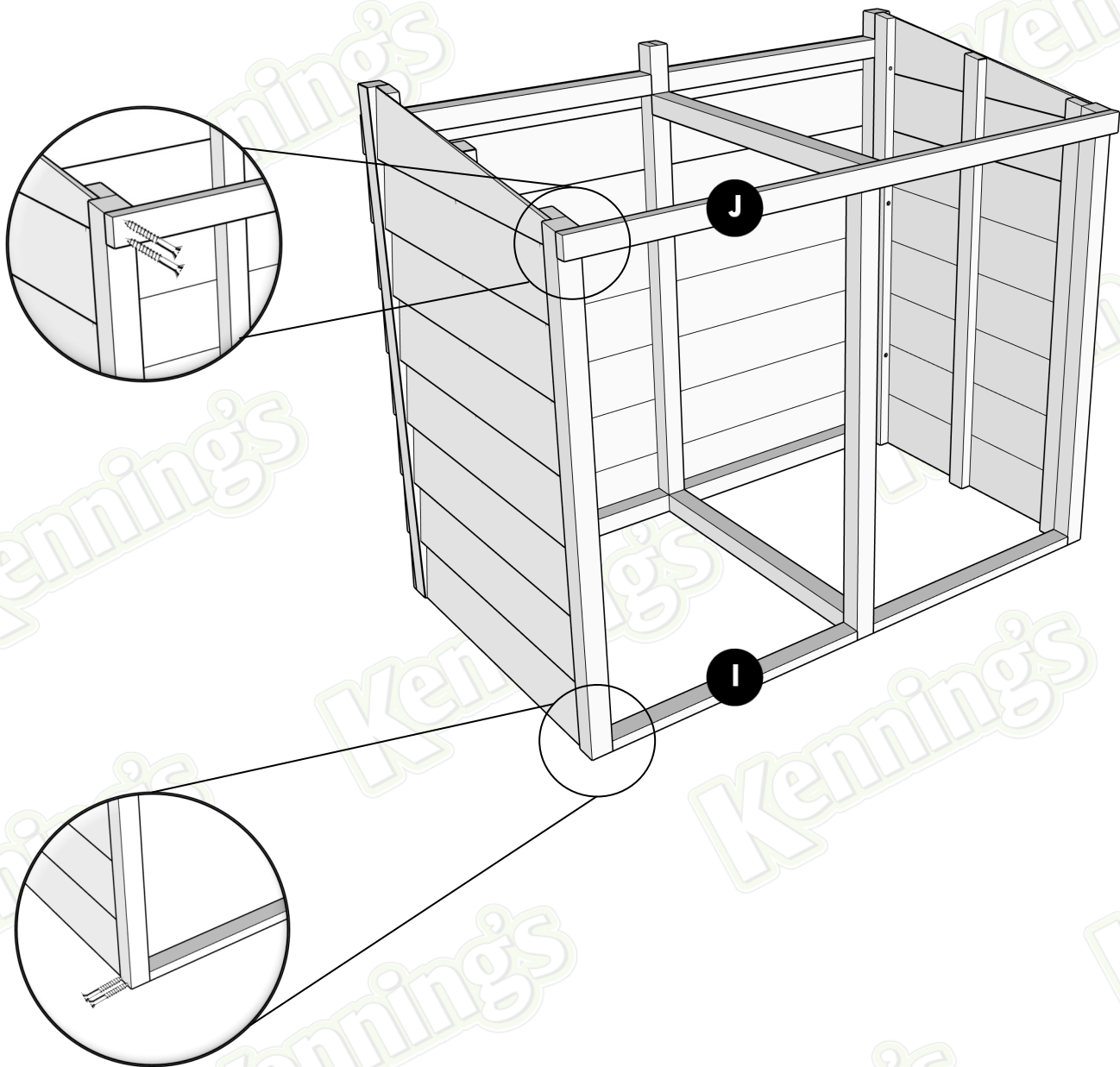
**Kennings's**

### Step 3

Secure the 2 x Horizontal Floor Supports (**I**) between each side panel and centre vertical piece (**G**) using 2 x 75mm Green Screws (**FIX 1**) per side.

The Horizontal Top Support (**J**) can then be screwed to the front face of the two side panels and the centre upright (**G**) using 2 x 75mm Green Screws (**FIX 1**) per contact point.

The Horizontal Top Support (**J**) runs across the full Bin Store in one long piece to give extra strength to the product.



All images are for illustration only. Please see individual item listings for actual item specifications.

Page 4 of 8

# Double Bin Store

## Fitting Guide

**Kennings**

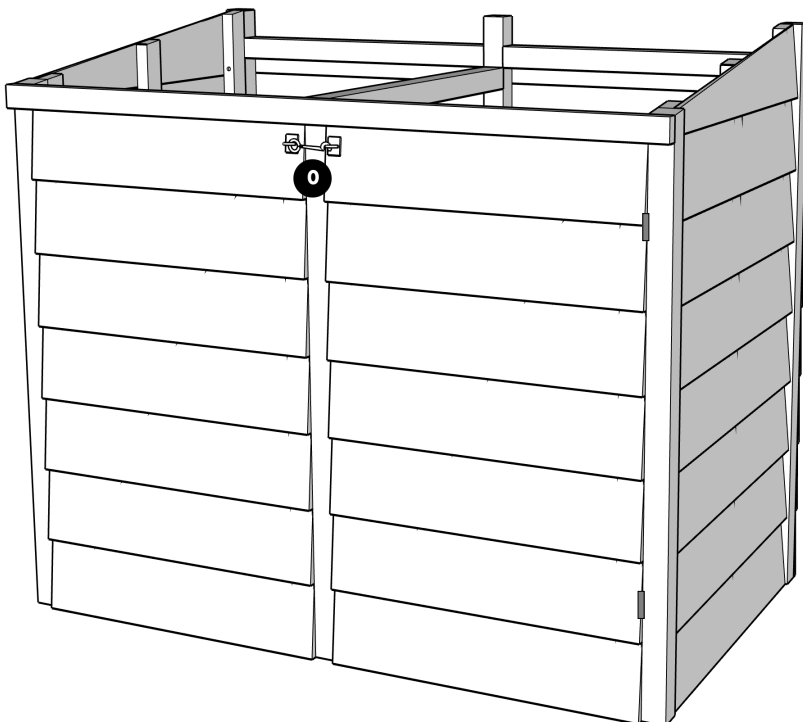
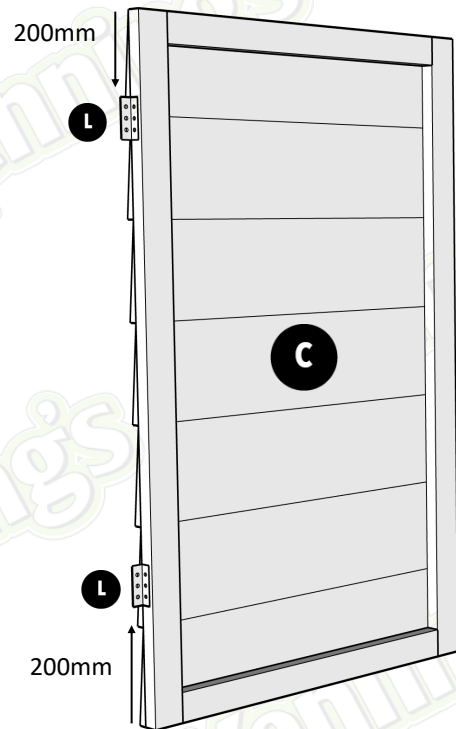
### Step 4

Fix the 2 x Door Hinges (**N**) 200mm from the top and bottom of both Bin Store Doors (**D**).

Then, position the door between the side panels and secure the hinges to inner side of the side panels.

Repeat for the second Bin Store Door.

Fixings for this are included in the door hinge packaging.



Fix the Door Cabin Hook (**O**) as shown opposite.

Fixings for this are included with the Door Cabin Hook Packaging.

All images are for illustration only. Please see individual item listings for actual item specifications.

Page 5 of 8



# Double Bin Store

## Fitting Guide

### Step 5

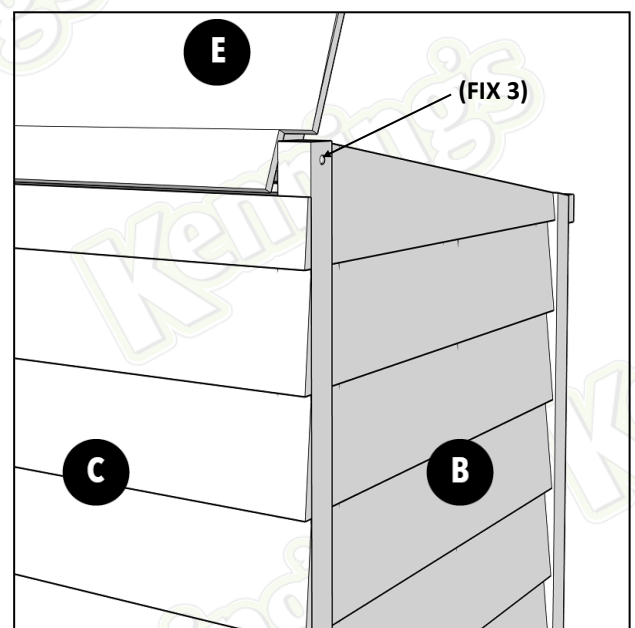
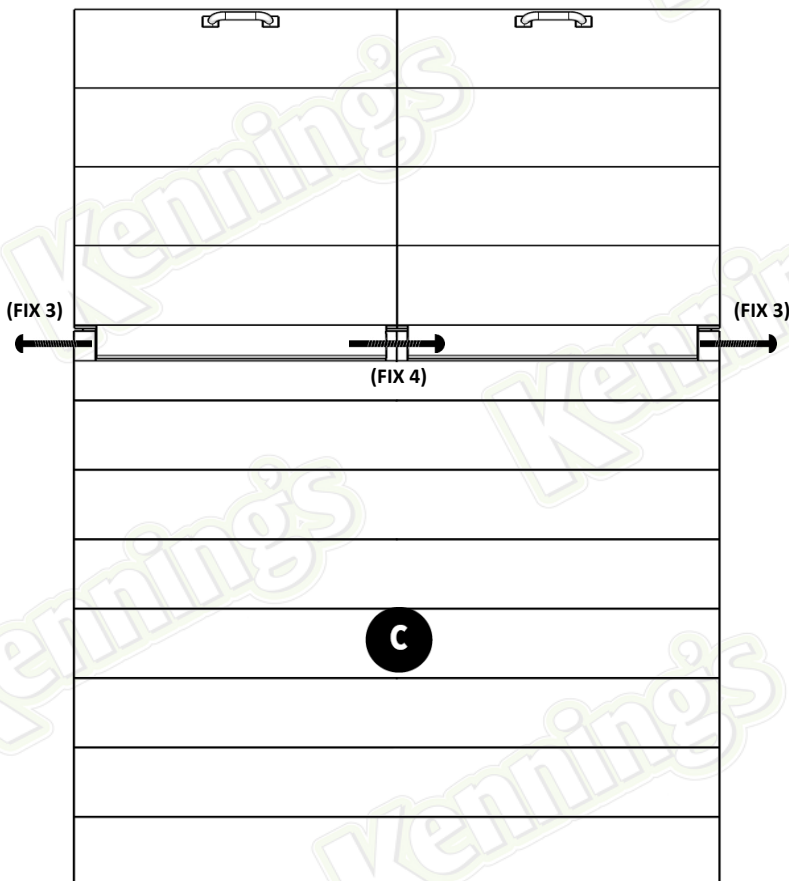
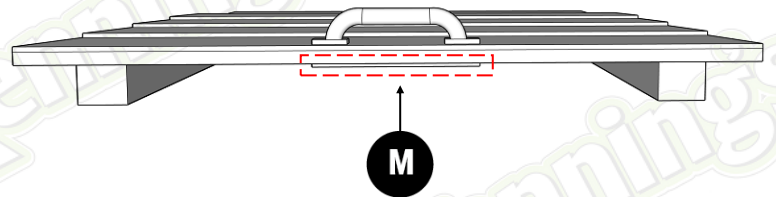
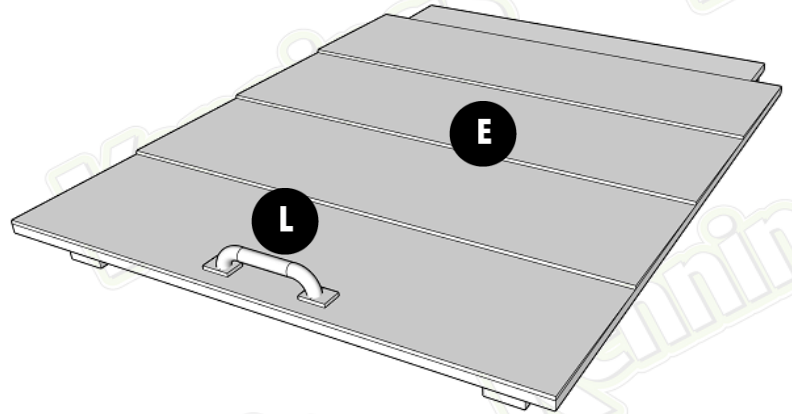
Take the Bin Store Lid (E) and attach the Lid Handle (L) the handle must be attached at the top end as shown below.

The handle back plate (M) should be lined up on the underside of the lid for the supplied screws to drive into to hold it tight in place and stop the screw points from showing.

Repeat the process for both lids.

Position the Bin Store Lid (E) between the side panels, align the pre-drilled boltholes, and insert a 130mm bolt (FIX 3) at each side using the provided nut and washer to secure each bolt in place.

Use the single 200mm bolt (FIX 4) for the centre.



# Double Bin Store

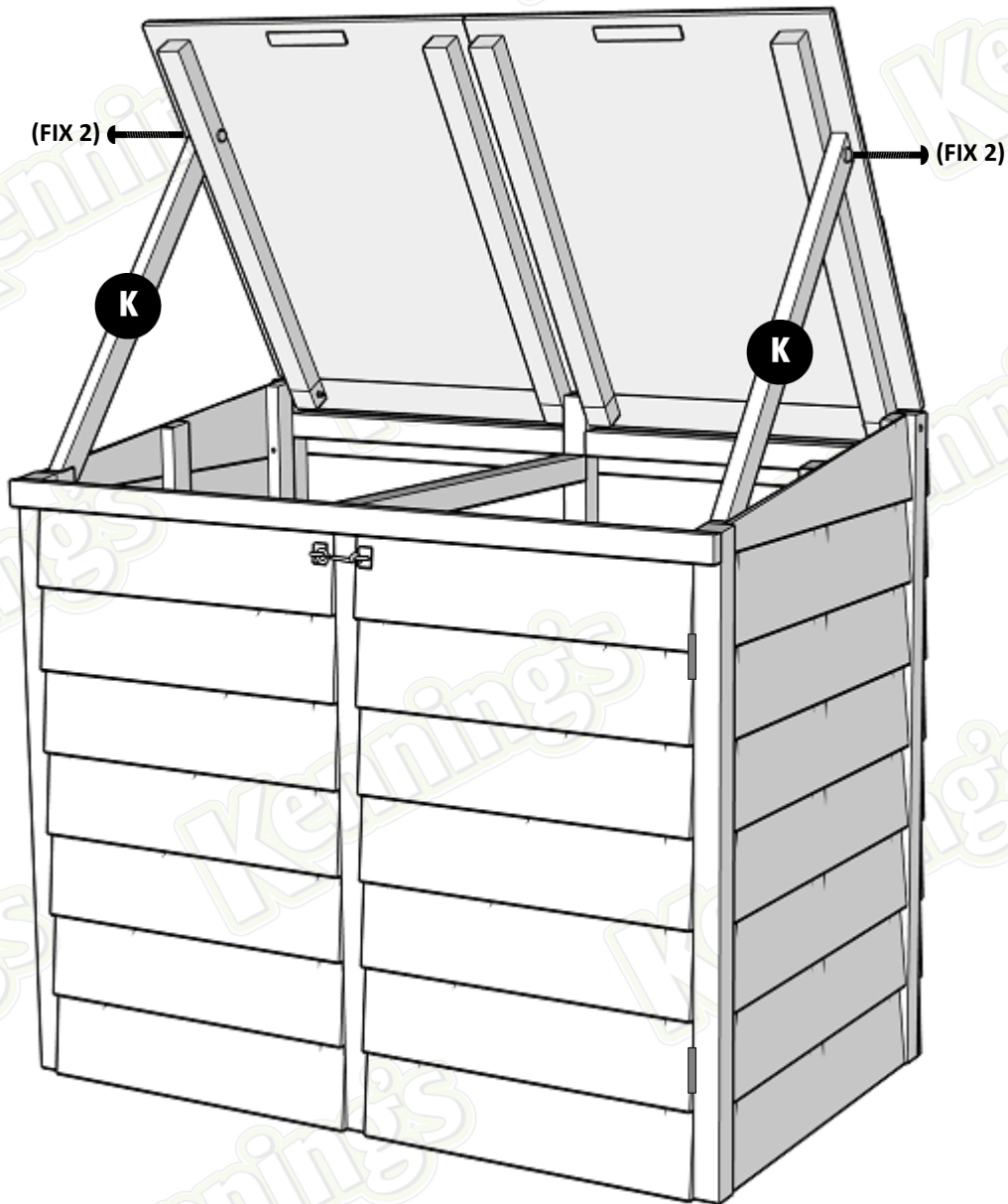
## Fitting Guide

**Kennings**

### Step 10

Insert 1 x bolt (**FIX 2**) into the pre-drilled bolthole on bin lid frame and through the V Cut Lid Prop (**K**) using the nut and washer to secure in place.

Do this for both lids to complete your build.



All images are for illustration only. Please see individual item listings for actual item specifications.

Page 7 of 8

# Double Bin Store Fitting Guide

**Kennings's**



**Enjoy your new Double Bin Store!**

All images are for illustration only. Please see individual item listings for actual item specifications.

Page 8 of 8